

1500T4 & 1501T4 Series Electronic Wallmount Faucet

TECK[®]
COMMERCIAL

DELTA[®]

SPECIFICATION: (EXAMPLE)

1500T4670



- Supplied as complete product only
- **H₂Optics**[®] Technology – no external adjustments required
- Chrome plated wallmount one piece cast main body with integral sensor
- **Battery** (4 “C” cell) or **Hardwire** (24 VAC) infrared electronic handwash system
- Adjustable sensing range and timeout
- Audible low battery indicator
- Serviceable filter screen upstream of the valve
- and... with... (specify battery or hardwire)
- with... (add outlet required)
- with... (add control box required)
- with... (for hardwire with battery backup – specify separately – see next page)
- with... (transformer required for hardwire models – specify separately – see back page)

Engineer/Architect Approval

Model Specified:

Approval:

Date:

MODEL NUMBER EXAMPLE:

Configurations vary, see below for availability.

1500T4670 - R35

R* = Optional gooseneck
spout dimensions:
R35 = 6" long, 12" high



AVAILABLE MODELS	#0 SURFACE MOUNT CONTROL BOX Mixing valve required (Order separately)		#1 RECESSED MOUNT CONTROL BOX Mixing valve required (Order separately)		#8 RECESSED MOUNT CONTROL BOX Complete with thermostatic mixing valve	
	HARDWIRE	BATTERY OPERATED	HARDWIRE	BATTERY OPERATED	HARDWIRE	BATTERY OPERATED
	6	6	6	6	6	6
1 Smooth End, Laminar Outlet 2.2 gpm (8.3 L/min)	1500T4610		1500T4611		1500T4618	
2 Vandal Resistant Laminar Outlet 1.5 gpm (5.7 L/min)	1500T4620	1501T4620			1500T4628	1501T4628
7 Smooth End, Laminar Outlet 1.5 gpm (5.7 L/min)	1500T4670 1500T4670-R35	1501T4670 1501T4670-R35			1500T4678	1501T4678

Refer to www.specselect.com for individual models.
Batteries included on all battery models.

Flow Rates are at 60 PSI.
Note: Use this page front and back, with specification drawing pages, as product submittal sheets.

1500T4 & 1501T4 Series Electronic Wallmount Faucet

TECK
COMMERCIAL

DELTA

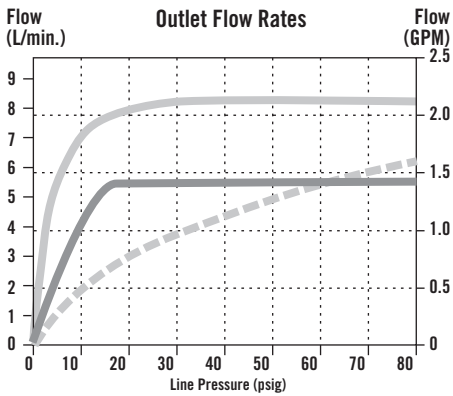
APPROVALS:

- Control Box #0 and #1 CSA certified to ASME A112.18.1/CSA B125.1 and NSF372
- Control Box #8 CSA certified to ASME A112.18.3/CSA B125.3 and NSF372
- Thermostatic Mixing Valve IAPMO listed to ASSE 1069, 1070
- Indicates compliance to ICC/ANSI A117.1
- Outlet options 2 and 7 are EPA WaterSense® listed
- Verified compliant with .25% weighted average Pb content regulations

(Contact Delta Representative for State and/or Local Approvals.)

Patented

FLOW RATE vs PRESSURE



Spout Outlets

- No. 2 Laminar Flow Outlet
- No. 1 Flow Control
- No. 7 Flow Control

OPERATION:

- Hands free (touchless) operation.
- Water flows when sensor is activated.
- Water flow stops upon de-activation of sensor.
- Adjustable auto shut-off feature. Factory set to 45 seconds. Will reset once obstruction is removed.
- Adjustable sensing distance 76 to 381mm (3" to 15") factory set to 229mm (9") (±3.0")
- Low battery audible beep (for battery models only) will activate after faucet shuts off when approximately 1500 cycles remain.
- Metering mode with selectable flow times of 7 seconds to 4 minutes, factory set off.
- Periodic Rinse feature, time adjustable in 6 hour increments up to 2 days. Selectable rinsing lengths from 10 to 180 seconds. Factory set off.

NOTE 1: For optimum performance of this product, we recommend a system pressure between 20 and 80 PSI static. This product will operate up to a maximum of 125 PSI static per ANSI and CSA requirements. However, we do not recommend pressures above 80 PSI. Thermal expansion or leaking pressure reducing valves may require use of expansion tanks or relief valves to ensure your system never exceeds its maximum intended pressure setting.

NOTE 2: Control box #0 and trim used with ELAVT0001ARI are designed for routine 171°F (77°C) disinfection cycles up to 30 minutes.

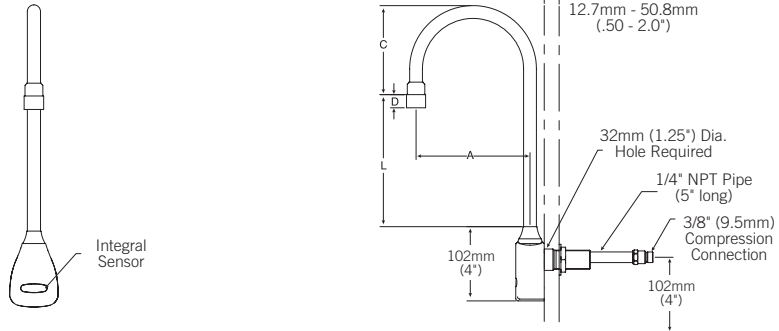
NOTE 3: Trim used with ELAVT0008ARI are not recommended for high temperature disinfection cycles as the thermostatic mixing valve limits the higher temperature flow output.

GOOSENECK SPOUT ASSEMBLIES

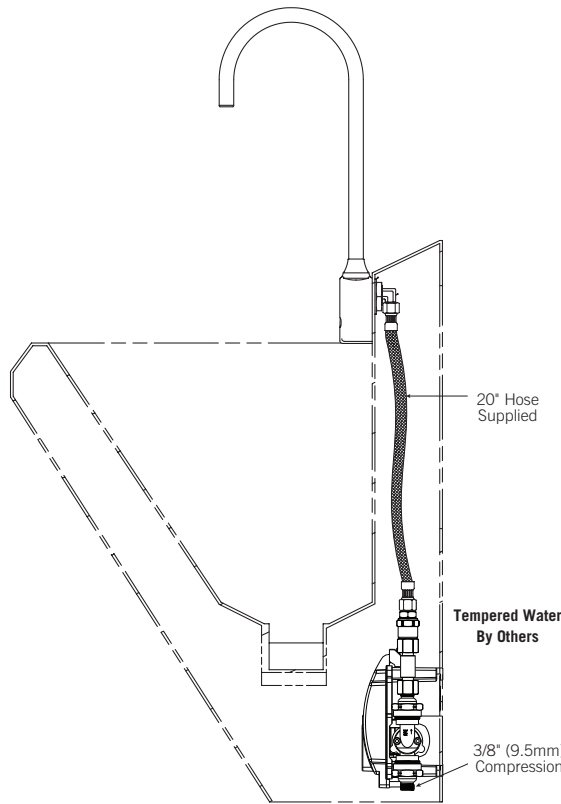
SPOUT/OUTLET	"A"		"C"		"L"	
	mm	in.	mm	in.	mm	in.
Gooseneck-Standard (R5) for outlet #2	152	6	124	4.9	188	7.4
Gooseneck-Standard (R5) for outlets #1 and 7	152	6	117	4.6	196	7.7

Note: Measurements may vary ± 6mm (0.25")

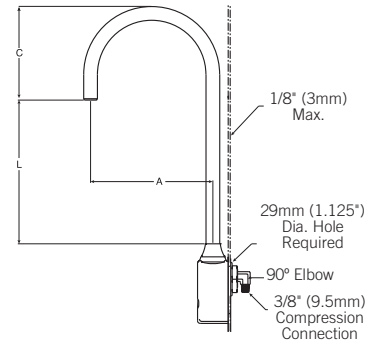
GOOSENECK SPOUT #6 FOR THICK WALLMOUNT INSTALLATION



1500T4670 TYPICAL INSTALLATION



GOOSENECK SPOUT #6 FOR THIN WALLMOUNT INSTALLATION



OUTLET NO.	"D"	
	mm	in.
2	18	0.69

AVAILABLE OPTIONS FOR FIELD CONVERSION

- 061047A**
Hardwire with Battery Backup
See DSP-BB for detailed specification.
- 060651A**
3 Position Switch
See DSP-ELACC for detailed specification.

OPTIONAL ACCESSORIES

✓	TRANSFORMERS
	060704A 110 to 24 VAC Class 2 20 VA (Up to 5 Electronic Valves)
	060771A 110 to 24 VAC Class 2 40 VA (Up to 10 Electronic Valves)
✓	CORDS
	061256A 36" Cable Extension

Refer to www.specselect.com for individual models.
Product supplied as shown by solid lines. All items shown by dotted lines supplied by others.

DSP-1500T4 Rev. M

Delta reserves the right (1) to make changes in specifications and materials, and (2) to change or discontinue models, both without notice or obligation. Dimensions are for reference only. See current full-line price book or www.specselect.com for finish options and product availability.

1500T4 & 1501T4 Series Electronic Wallmount Faucet

TECK[®]
COMMERCIAL

DELTA

SURFACE MOUNT CONTROL BOX #0

1500T4 AND 1501T4 SERIES

✓	PRODUCT NO.				VALVE TYPE	COVER	
	1500T	4			0	Wallmount Handwash Hardwire	Surface Mount Control Housing
	1501T	4			0	Wallmount Handwash Battery	Surface Mount Control Housing

VANDAL RESISTANT SURFACE MOUNT CONTROL HOUSING

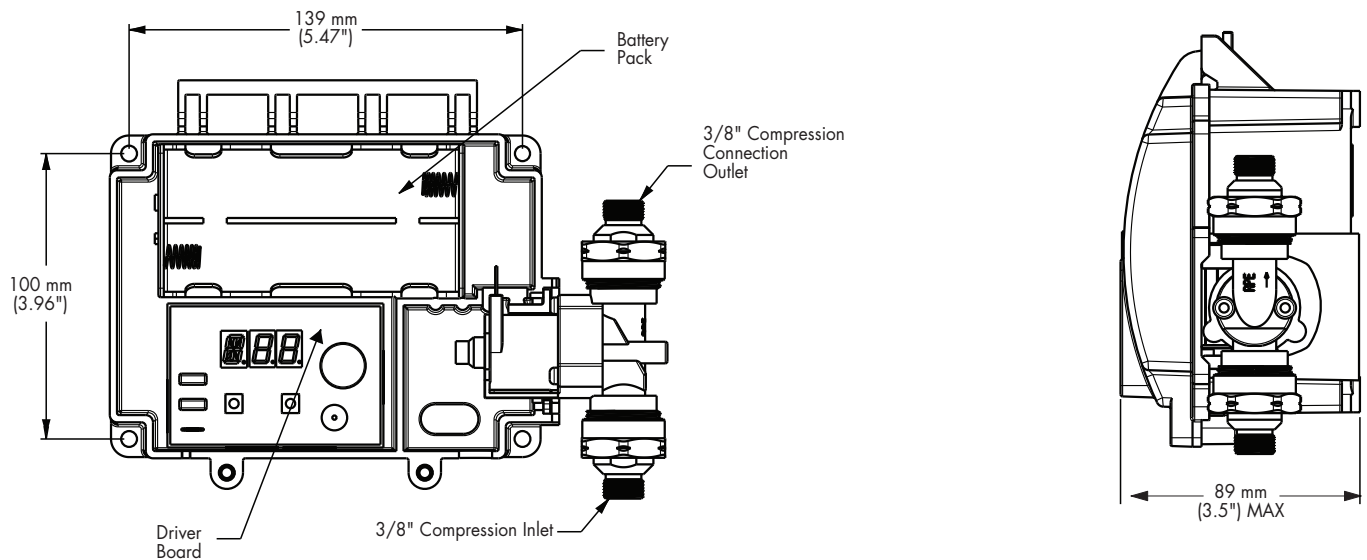
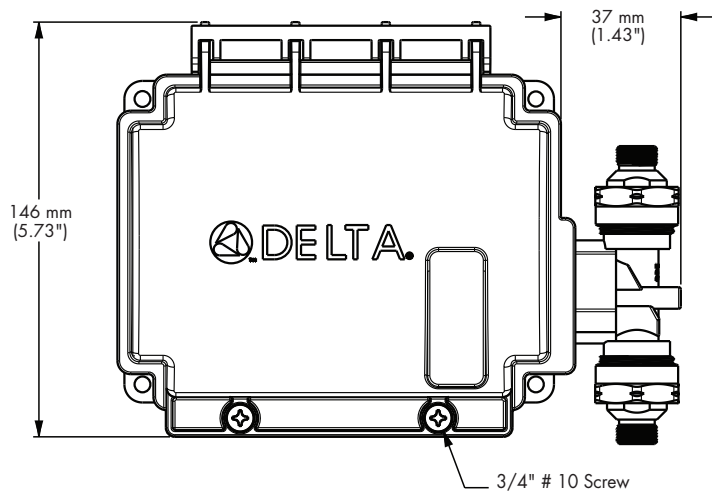
1500T4 AND 1501T4 SERIES

Battery Operated – Box shown.

Hardwire Version comes complete with Watertight Connector and Hardwire Converter 24 VAC to 6.4 VDC.

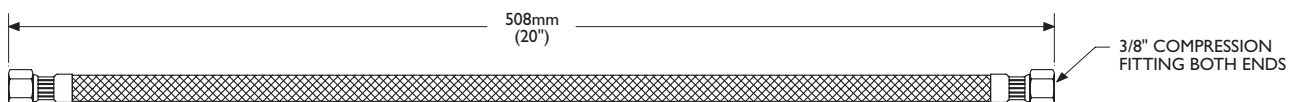
Hardwire with Battery Backup
(Available option for field conversion) comes complete with Watertight Connector, Hardwire Converter 24 VAC to 5 VDC and 9 V battery. See DSP-BB for detailed specification.

Recommended
381 mm (15" max.)
to top of counter



BRAIDED HOSE

Note: Hose connections supplied between Solenoid Valve and Spout



Note: Measurements may vary ± 6mm (0.25")

1500T4 & 1501T4 Series Electronic Wallmount Faucet

TECK
COMMERCIAL

DELTA

RECESSED MOUNT – ASSEMBLED CONTROL BOX #1

1500T4 AND 1501T4 SERIES

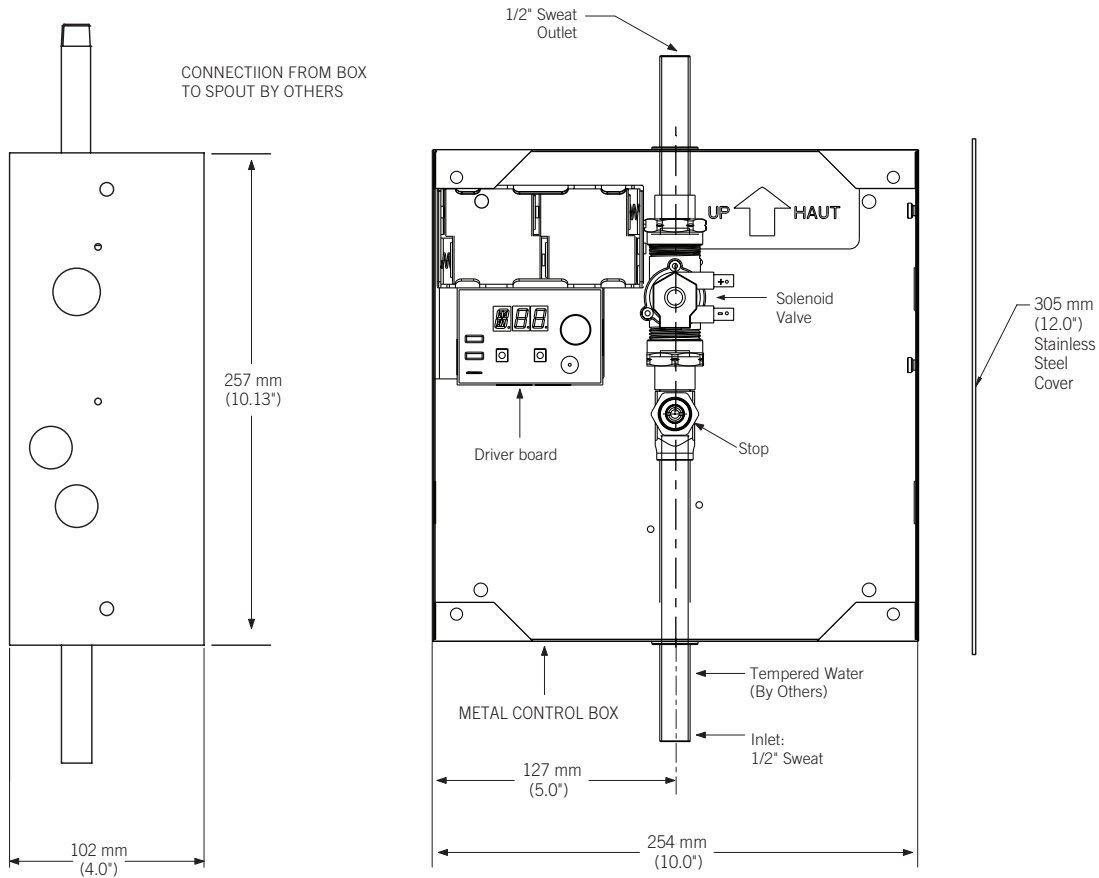
✓	PRODUCT NO.				FAUCET TYPE	MOUNT TYPE	COVER		
	1500T	4			1	Wallmount Handwash Hardwire	Recessed Mount	305mm (12")	Stainless Steel
	1501T	4			1	Wallmount Handwash Battery	Recessed Mount	305mm (12")	Stainless Steel

1500T4 AND 1501T4 SERIES

Battery Operated – Box shown.

Hardwire Version comes complete with Watertight Connector and Hardwire Converter 24 VAC to 6.4 VDC.

Hardwire with Battery Backup (Available option for field conversion) comes complete with Watertight Connector, Hardwire Converter 24 VAC to 5 VDC and 9 V battery. **See DSP-BB for detailed specification.**



Note: Measurements may vary ± 6 mm (0.25")

DSP-1500T4 Rev. M

Delta reserves the right (1) to make changes in specifications and materials, and (2) to change or discontinue models, both without notice or obligation. Dimensions are for reference only. See current full-line price book or www.specselect.com for finish options and product availability.

1500T4 & 1501T4 Series Electronic Wallmount Faucet

TECK[®]
COMMERCIAL

DELTA

RECESSED MOUNT – ASSEMBLED CONTROL BOX #8

1500T4 AND 1501T4 SERIES

✓	PRODUCT NO.				FAUCET TYPE	MOUNT TYPE	COVER	
	1500T	4		8	Wallmount Handwash Hardwire	Recessed Mount	305mm (12")	Stainless Steel
	1501T	4		8	Wallmount Handwash Battery	Recessed Mount	305mm (12")	Stainless Steel

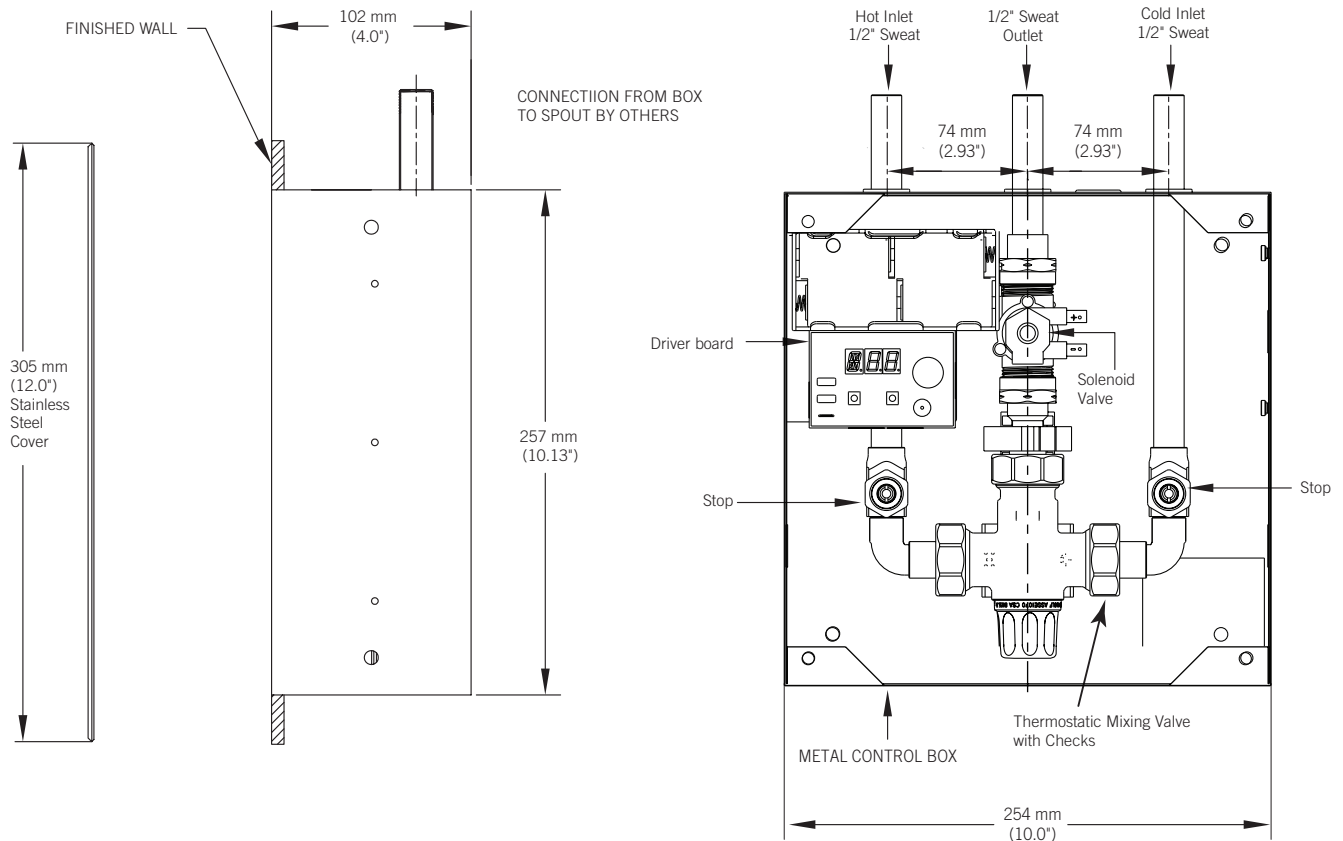
1500T4 AND 1501T4 SERIES

Battery Operated – Box shown.

Hardwire Version comes complete with Watertight Connector and Hardwire Converter 24 VAC to 6.4 VDC.

Hardwire with Battery Backup

(Available option for field conversion) comes complete with Watertight Connector, Hardwire Converter 24 VAC to 5 VDC and 9 V battery. **See DSP-BB for detailed specification.**



Note: Measurements may vary \pm 6mm (0.25")